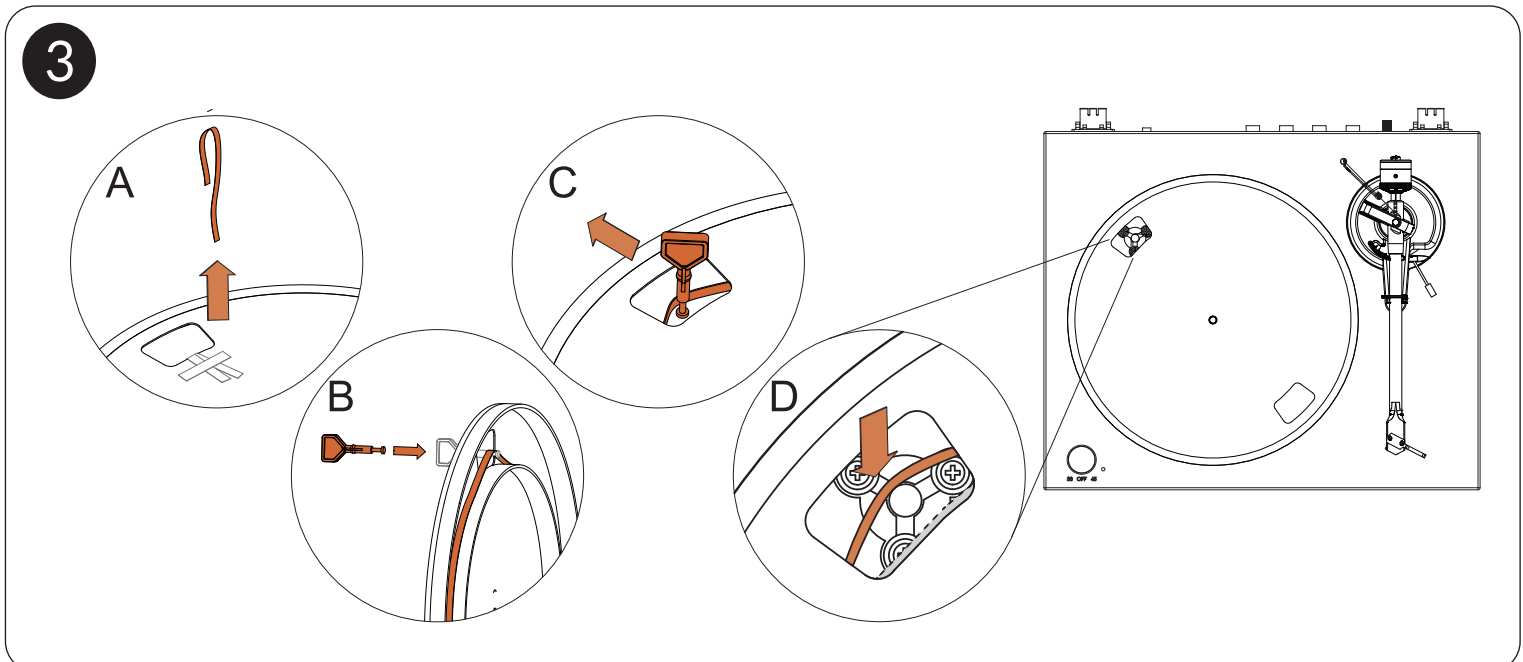
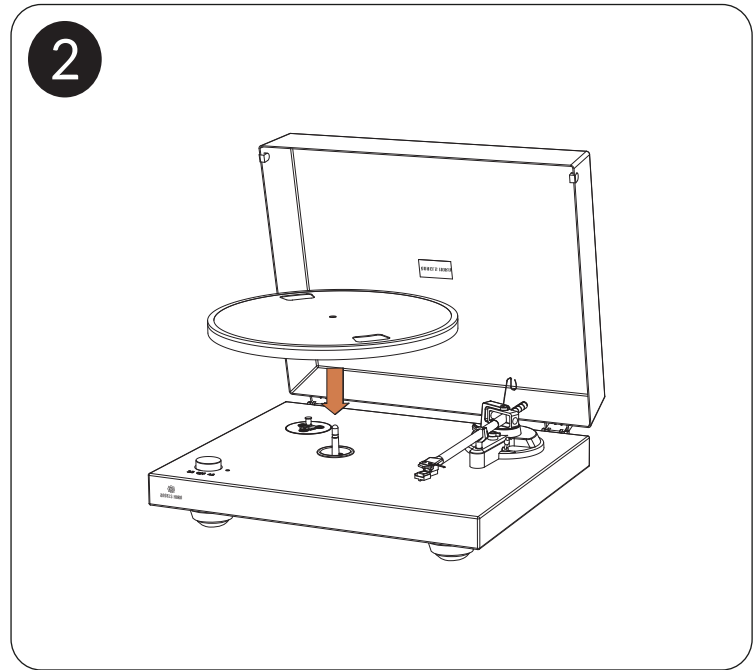
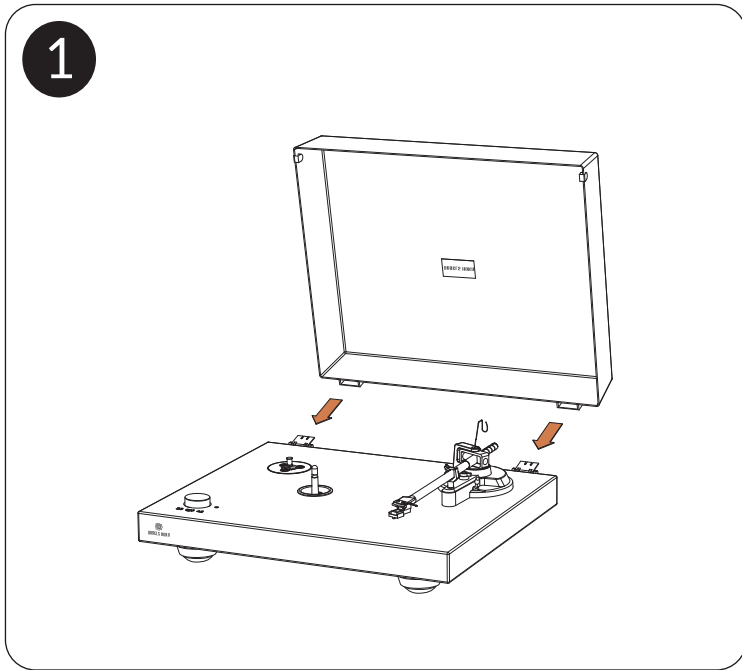
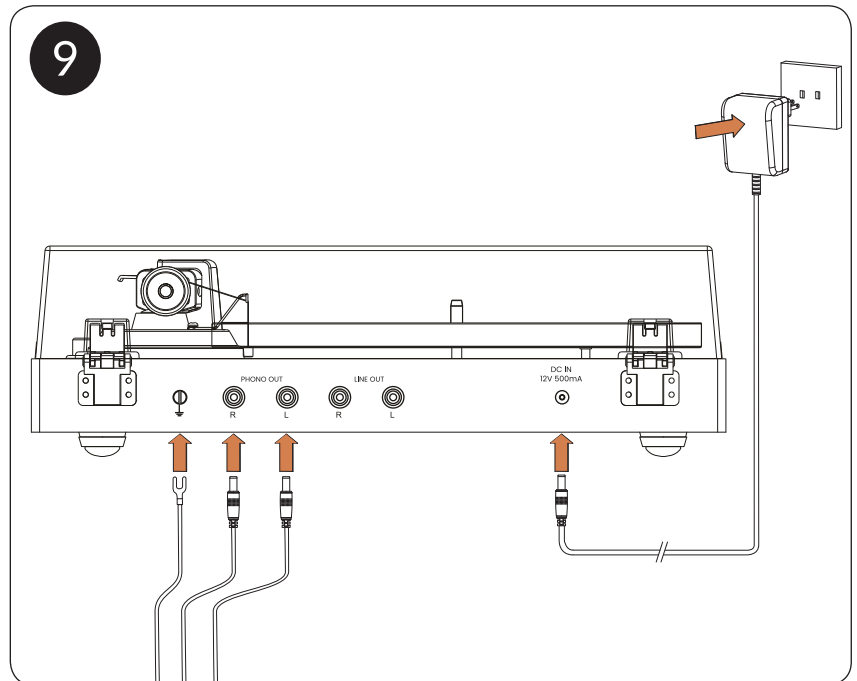
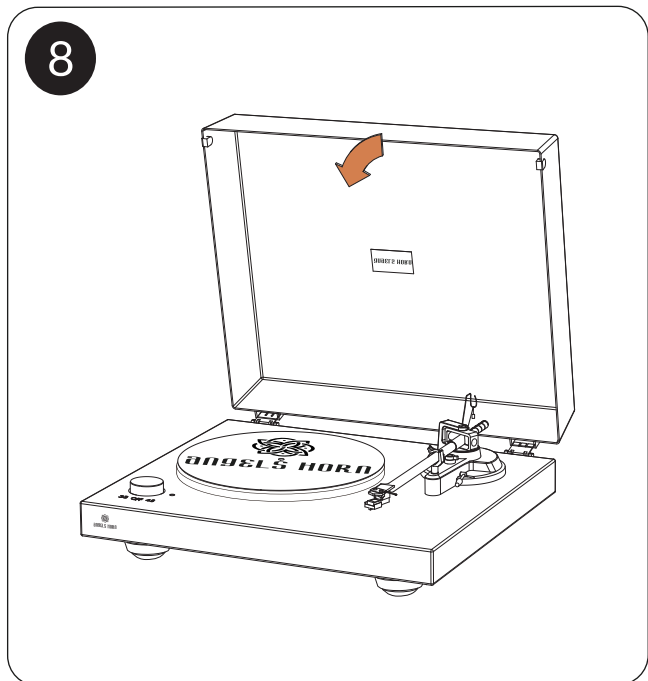
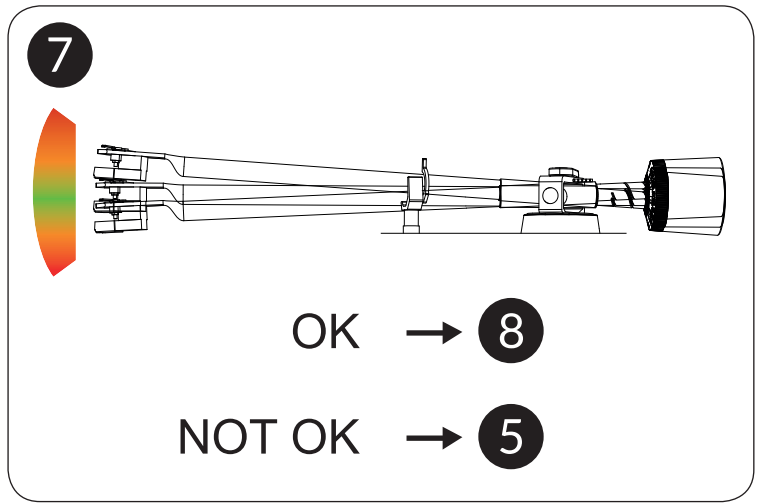
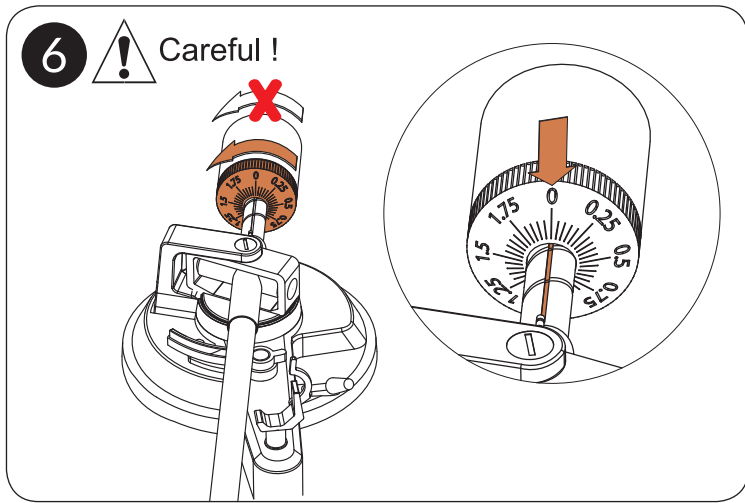
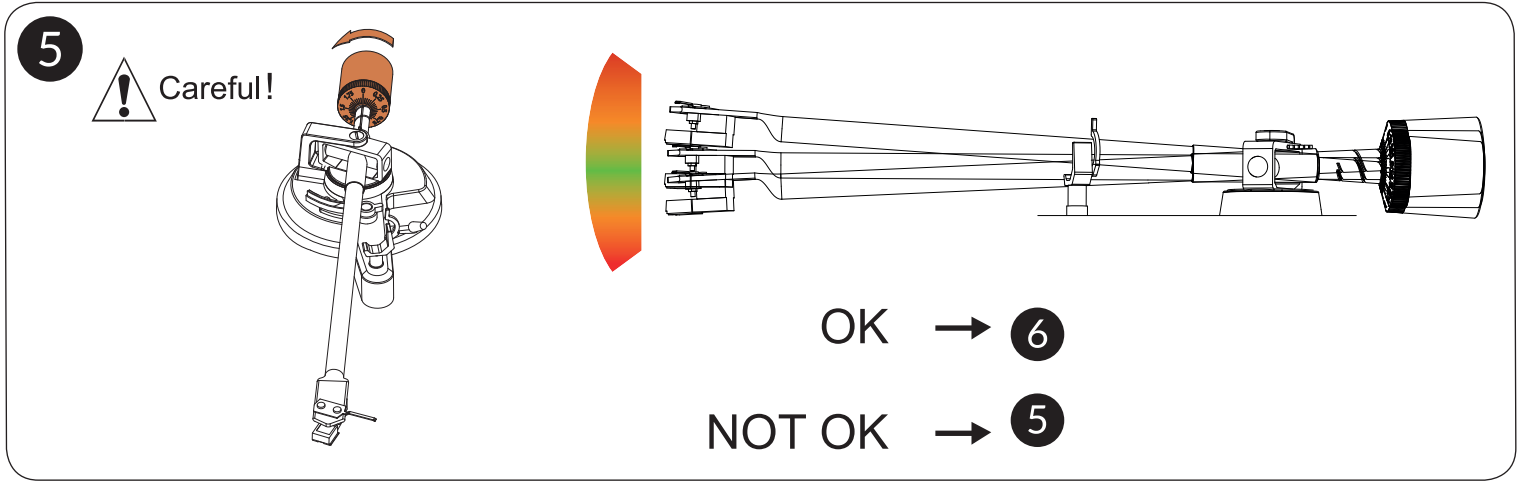
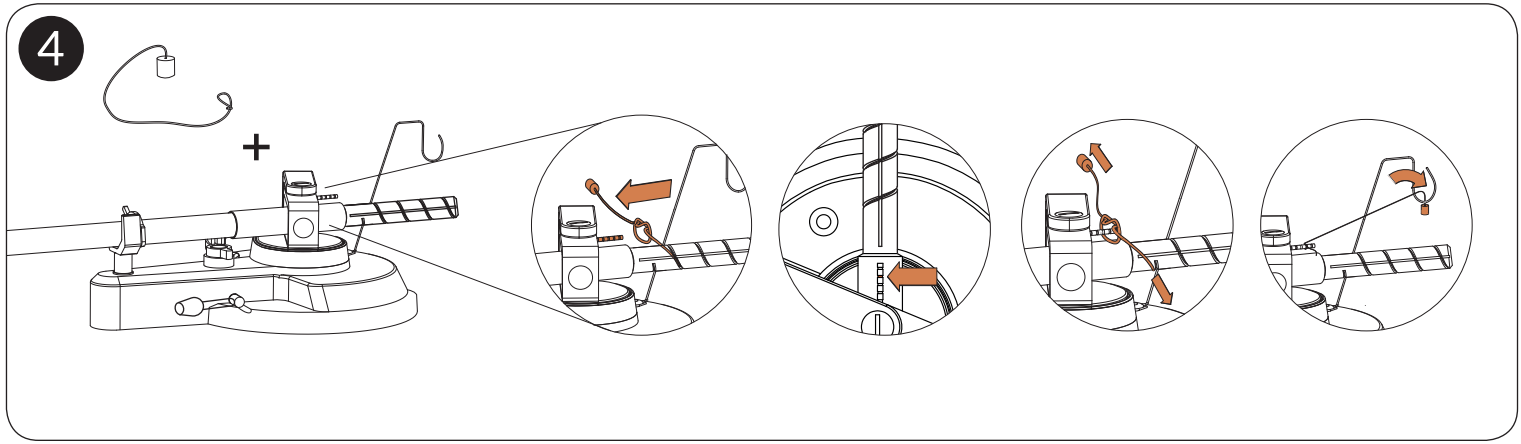
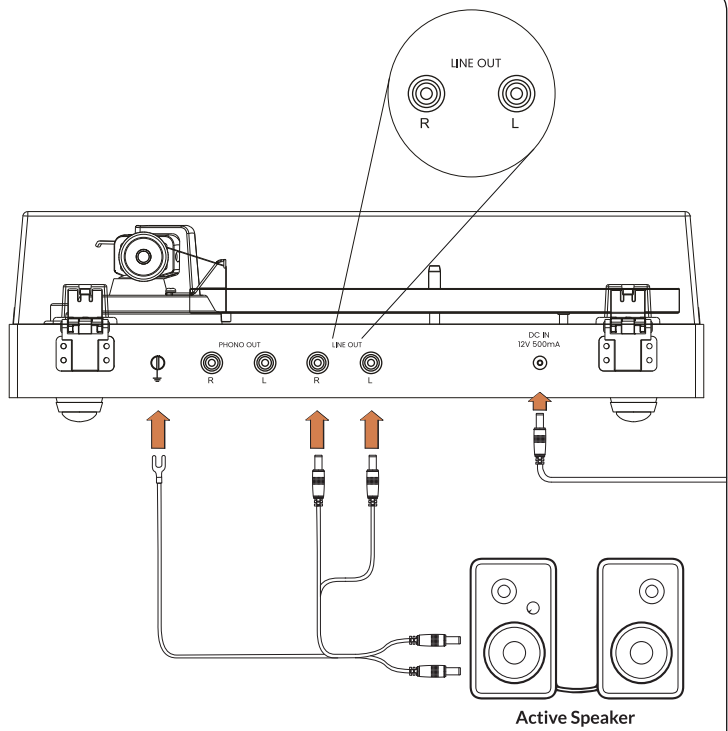
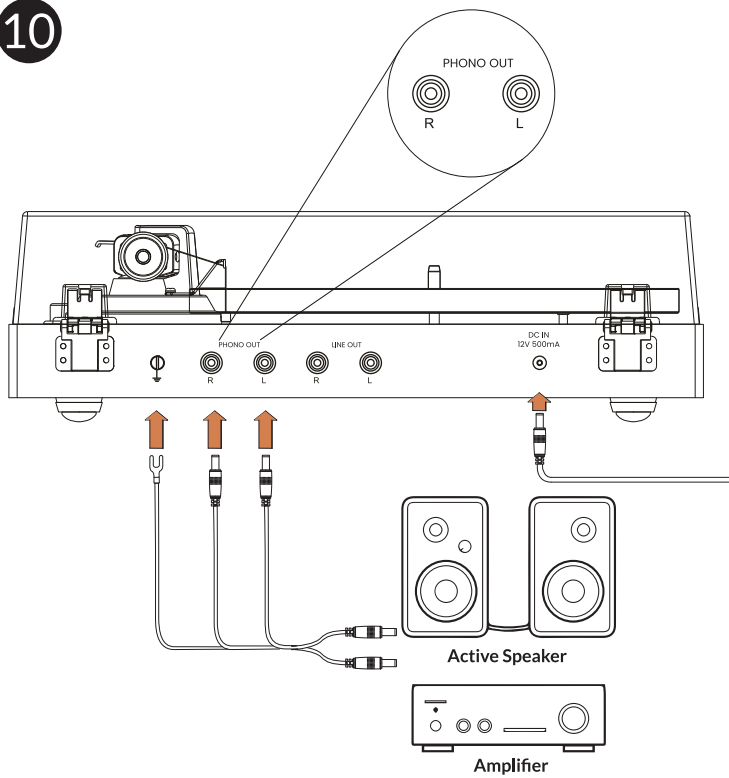


## Installation

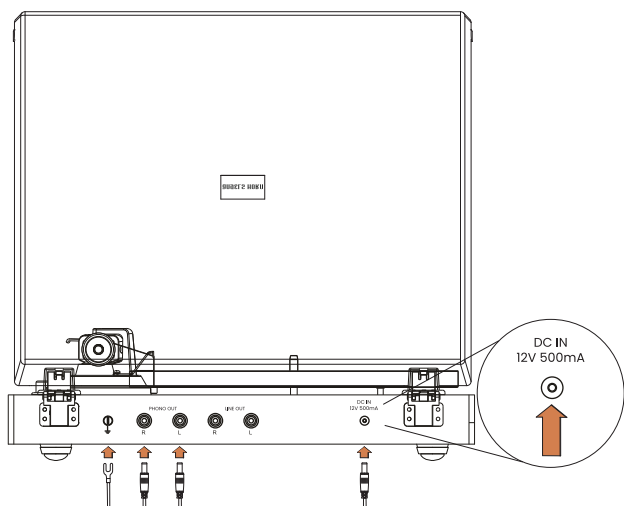




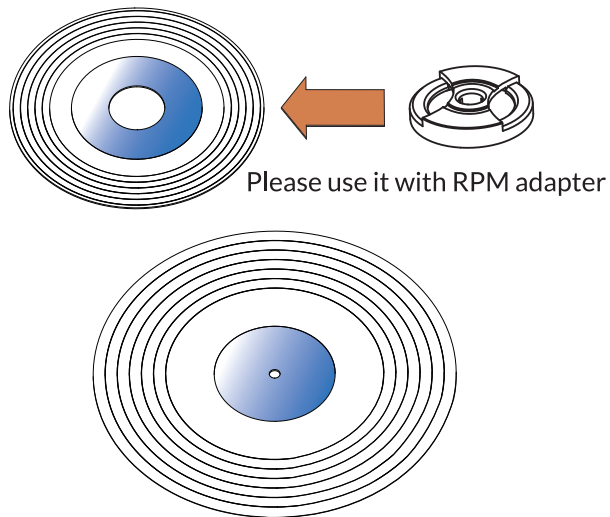
10



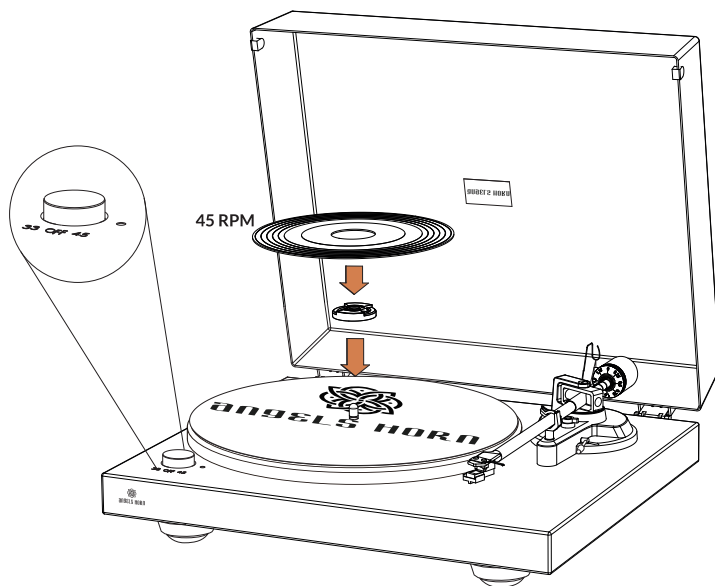
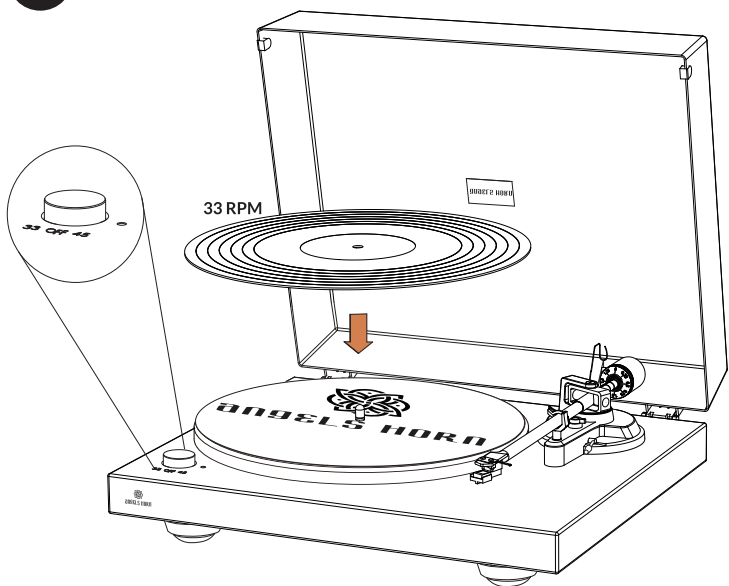
11



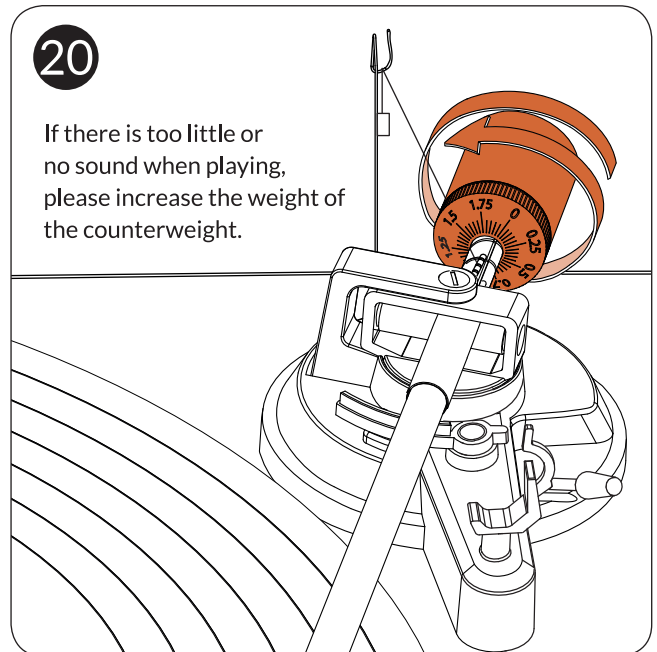
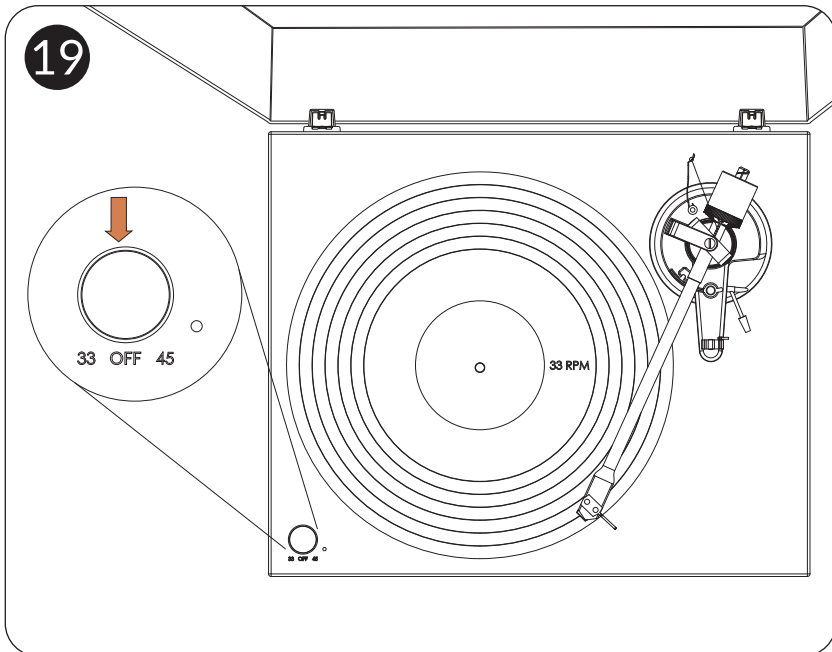
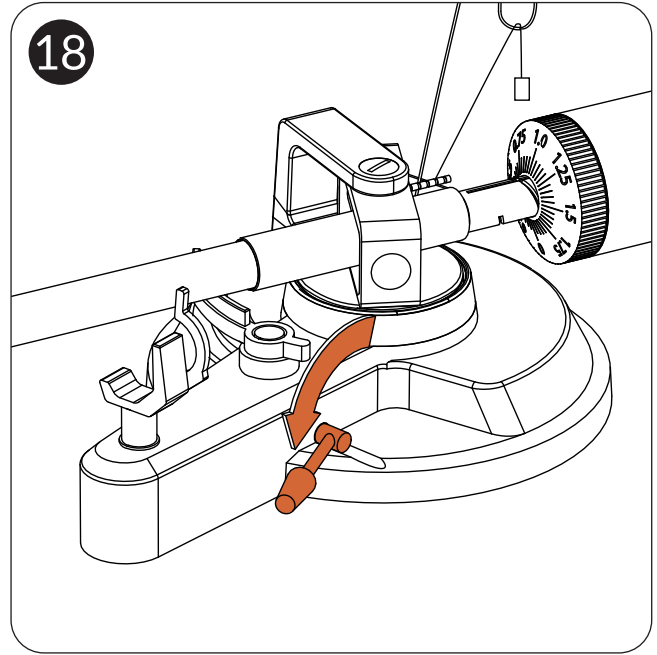
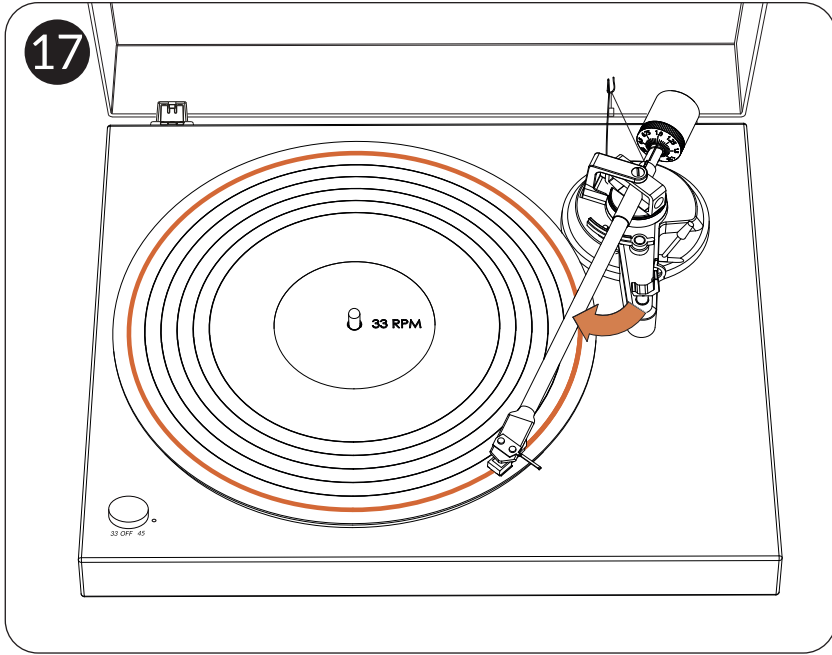
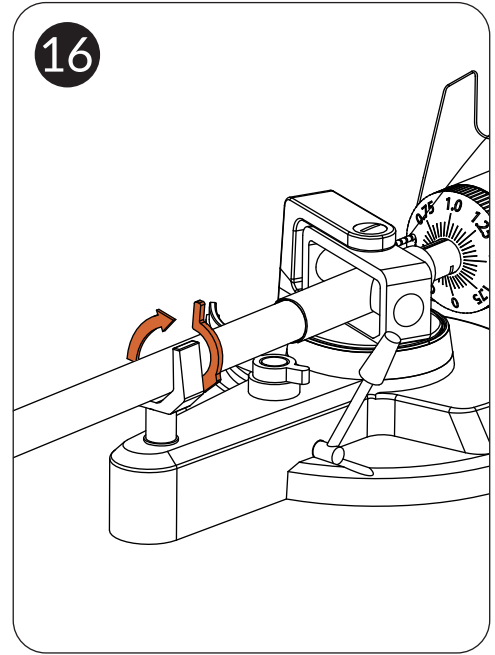
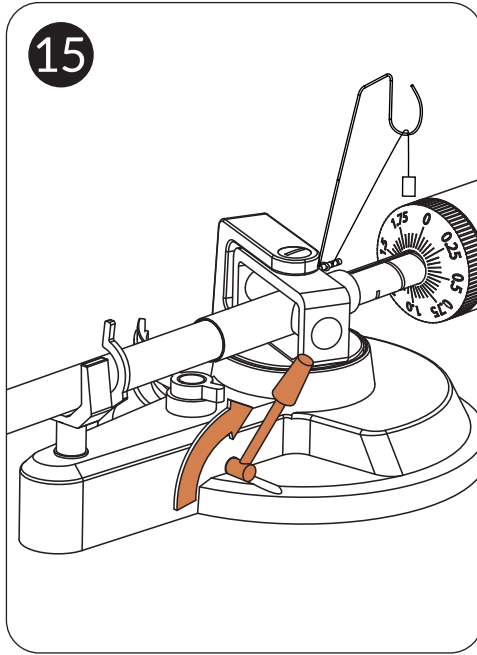
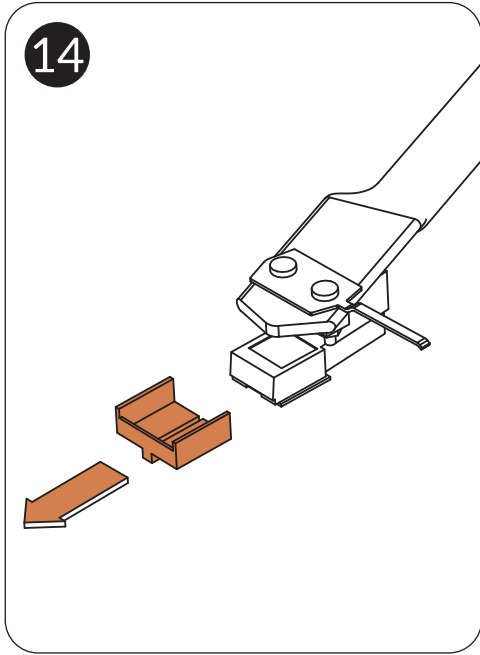
12



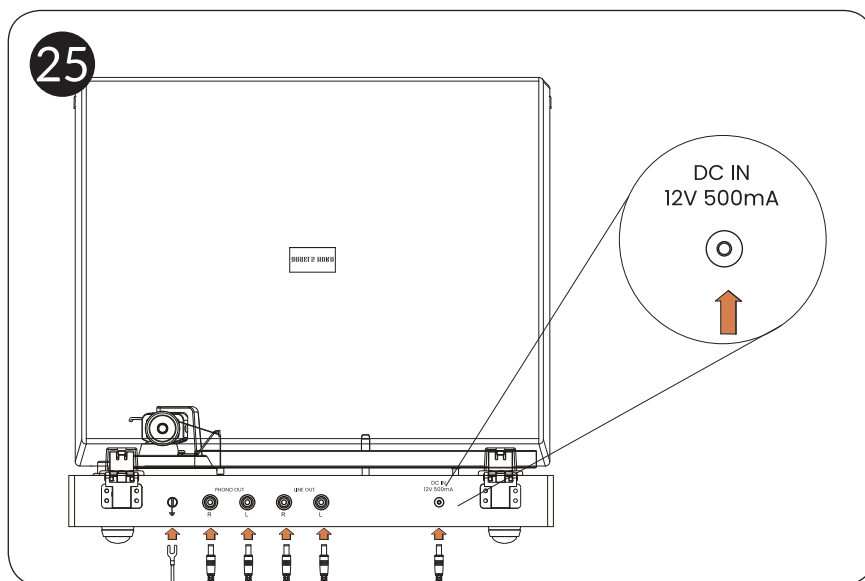
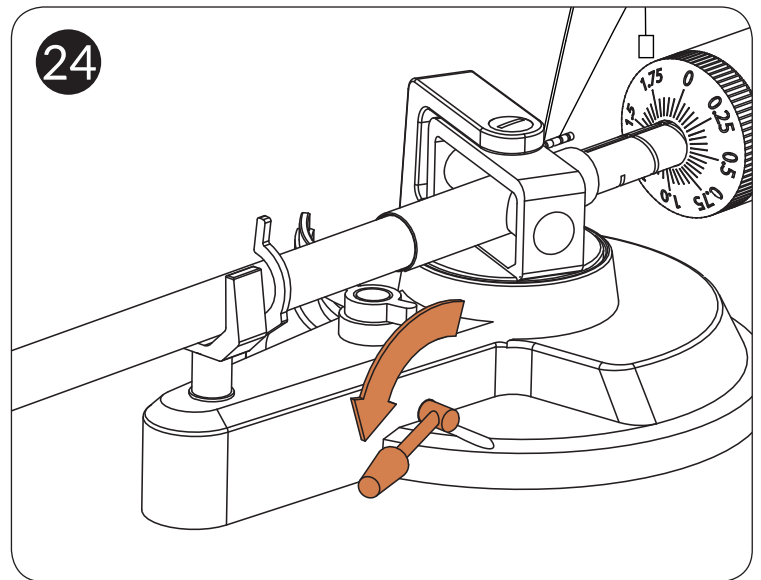
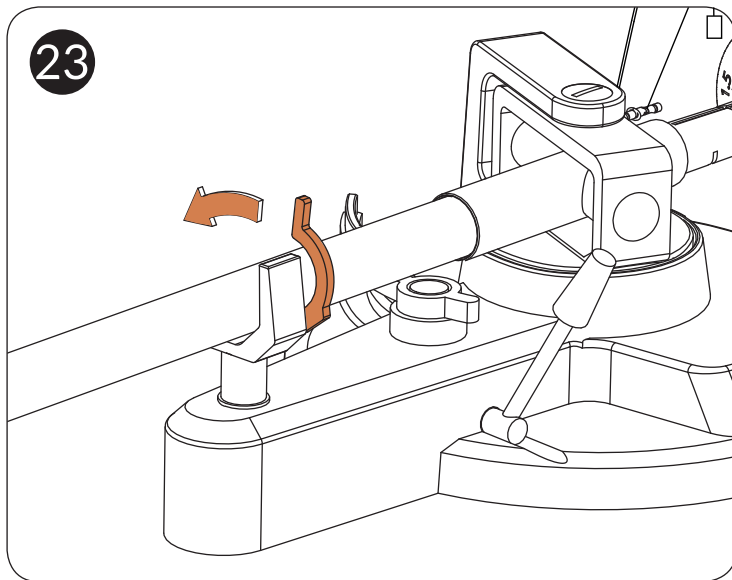
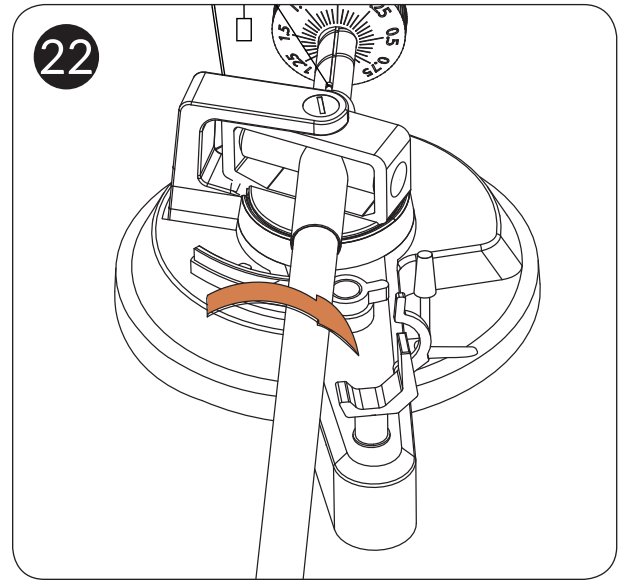
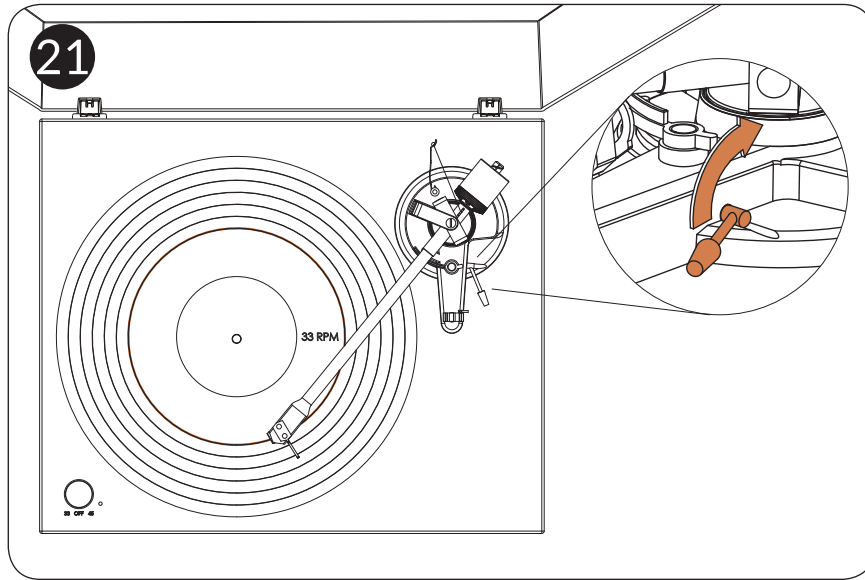
13



# Operation



# Stop the turntable



## Note:

1. When the record is played to the end, it will enter the inner closed loop and continue to rotate, and you need to manually raise the tonearm to stop it.

2. After power on, the blue LED light flashes to indicate that the Bluetooth is searching for devices, and the steady light indicates that the Bluetooth is paired with the device. If it is not paired for two minutes, the blue light turns to red, and the red light is the power indicator.